

A Series

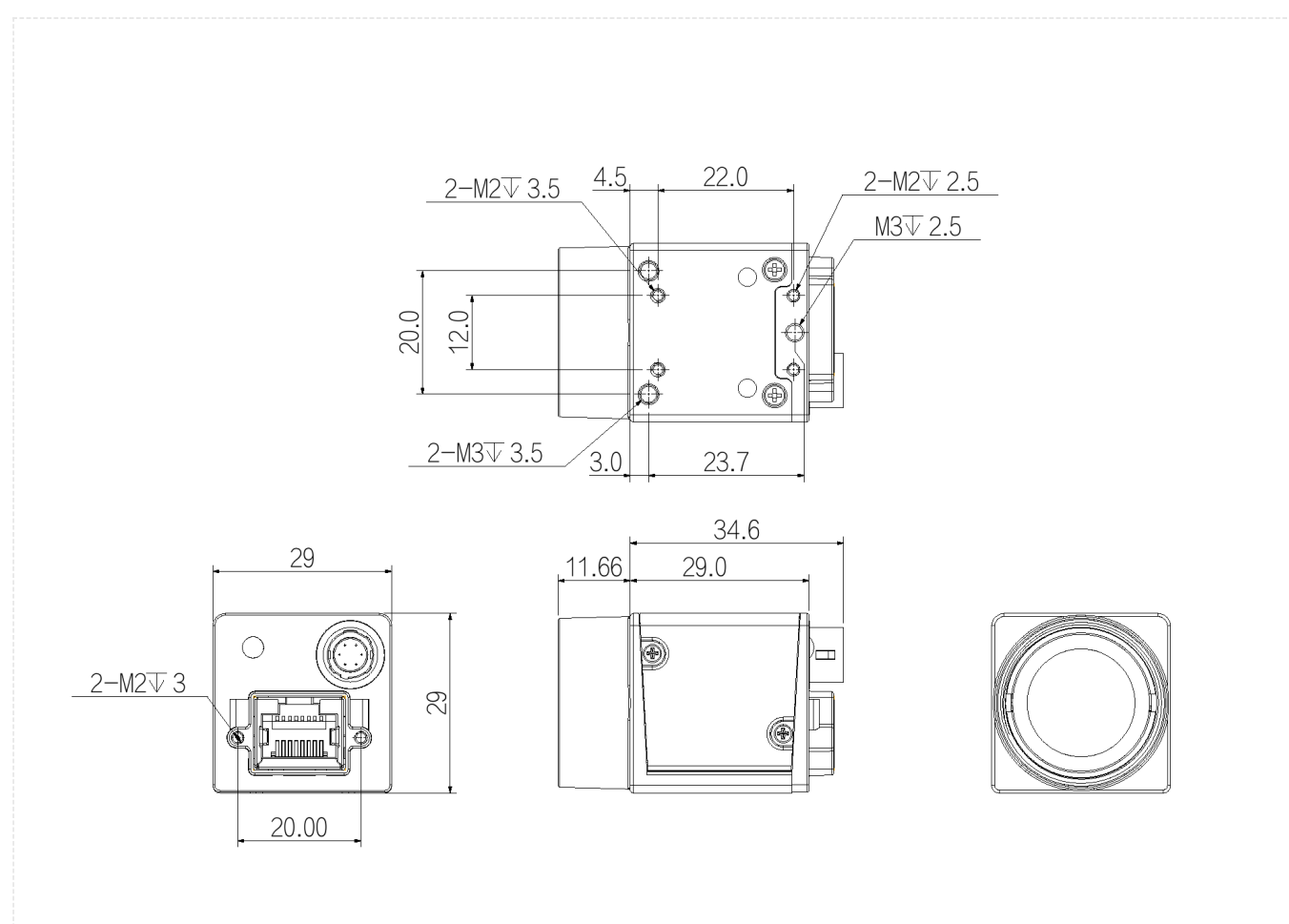
A3051MG100E



Features

- Gigabit Ethernet interface, providing 1Gbps bandwidth with a maximum transmission distance of 100m;
- 128MB on-board cache for data transmission or image resend;
- Support Software Trigger/Hardware Trigger/Free Run Mode;
- Support ISP functions including Sharpness/Denoising/Gamma/LUT/BlackLevel Correction/TargetBrightness/Contrast etc.;
- Color cameras support interpolation, white balance, color conversion matrix, chroma, saturation, etc.;
- Support multiple image data formats output/ROI/Mirror, etc.;
- Conform to GigE Vision V2.0 protocol and GenICam standard;
- Support PoE power supply, DC 9V~24V wide voltage power supply;
- Conform to CE, FCC, RoHS;

Dimensions (mm)



Specification

Model		A3051MG100E
Basic	Sensor	PYTHON480
	Image Sensor	1/3.6"CMOS
	Shutter	Global
	Resolution	800 × 600
	Frame Rate	120 fps
	Bit Depth	10
	Mono/Color	Mono
	Pixel Size	4.8 μm × 4.8 μm
Image	Pixel	0.5MP
	S/N Ratio	>38dB
	WDR	60dB
	Image Format	Mono8/10/10Packed
	Binning	Support
	Decimation	Support
	ROI	Support
	Gain	1~32
	Gamma	From 0 to 4 , support LUT
	Exposure Time	1μS~1S
	Trigger Mode	Software Trigger/Hardware Trigger/Free Run Mode
	SPC	Support
	FPN	Support
Performance	User Setting	Support two sets of user-defined configurations
	Image Buffer	64MB
Port	Port	GigE
	GPIO Interface	1x 6 pin Hirose: 1x Opto-isolated input, 1x Opto-isolated output
	Lens Mount	C-mount
Power	Power Supply	DC 9V~24V power supply via Hirose interface
	Power Consumption	12V≈2.8W
Structure	Product Dimensions	29mm*29mm*29mm
	Net Weight	60 g
Environment	Storage Temperature	- 30°C~+80°C
	Operating Temperature	- 30°C~+50°C

Spectrogram

