

# A Series

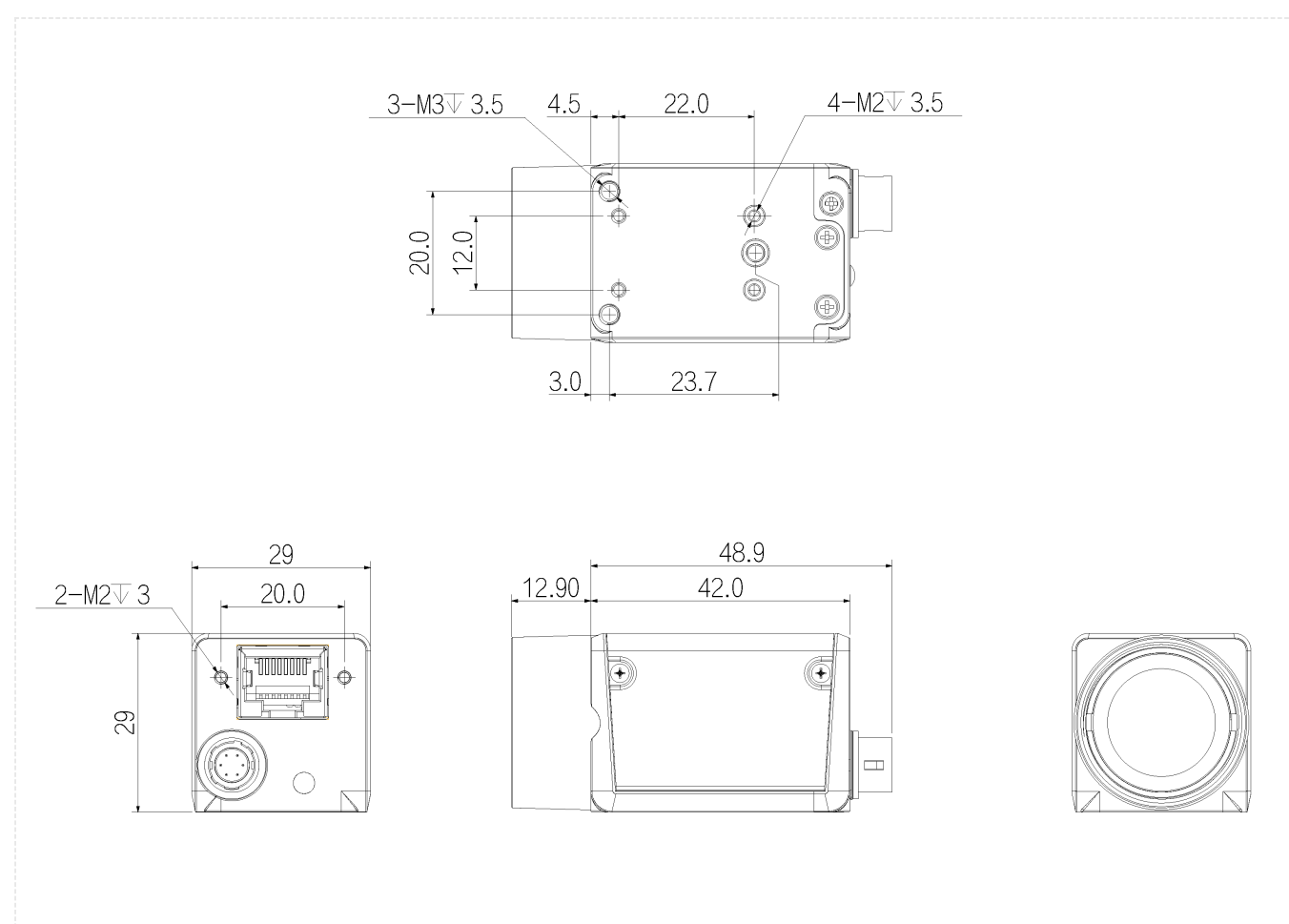
## A3135MG000E



### Features

- Gigabit Ethernet interface, providing 1Gbps bandwidth with a maximum transmission distance of 100m;
- 256MB on-board cache for data transmission or image resend;
- Support Software Trigger/Hardware Trigger/Free Run Mode;
- Support ISP functions including Sharpness/Denoising/Gamma/LUT/BlackLevel Correction/TargetBrightness/Contrast etc.;
- Color cameras support interpolation, white balance, color conversion matrix, chroma, saturation, etc.;
- Support multiple image data formats output/ROI/Mirror, etc.;
- Conform to GigE Vision V2.0 protocol and GenICam standard;
- Support PoE power supply, DC 9V~24V wide voltage power supply;
- Conform to CE, FCC, RoHS;

### Dimensions (mm)



## Specification

	Model	A3135MG000E
Basic	Sensor	RJ33J4CA0DT
	Image Sensor	1/3"CCD
	Shutter	Global
	Resolution	1280 × 960
	Frame Rate	30 fps
	Bit Depth	14
	Mono/Color	Mono
	Pixel Size	3.75 μm × 3.75 μm
Image	Pixel	1.2 MP
	S/N Ratio	> 38 dB
	WDR	63 dB
	Image Format	Mono8/10/10Packed
	Binning	Support
	ROI	Support
	Gain	1~32
	Gamma	From 0 to 4 , support LUT
	Exposure Time	1 μs ~ 1 s
	Trigger Mode	Software Trigger/Hardware Trigger/Free Run Mode
	SPC	Support
	FPN	Support
Performance	User Setting	Support two sets of user-defined configurations
	Image Buffer	256MB
Port	Port	GigE, PoE
	GPIO Interface	1× 6 pin Hirose: 1× Opto-isolated input, 1× Opto-isolated output
	Lens Mount	C
Power	Power Supply	PoE/ DC 9V~24V power supply via Hirose interface
	Power Consumption	12 V≈3.4 W
Structure	Product Dimensions	29mm×29mm×42mm (not including lens mount and rear case connector)
	Net Weight	88 g
Environment	Storage Temperature	- 30°C~+80°C
	Operating Temperature	- 30°C~+50°C

## Spectrogram

