

# 5000 series

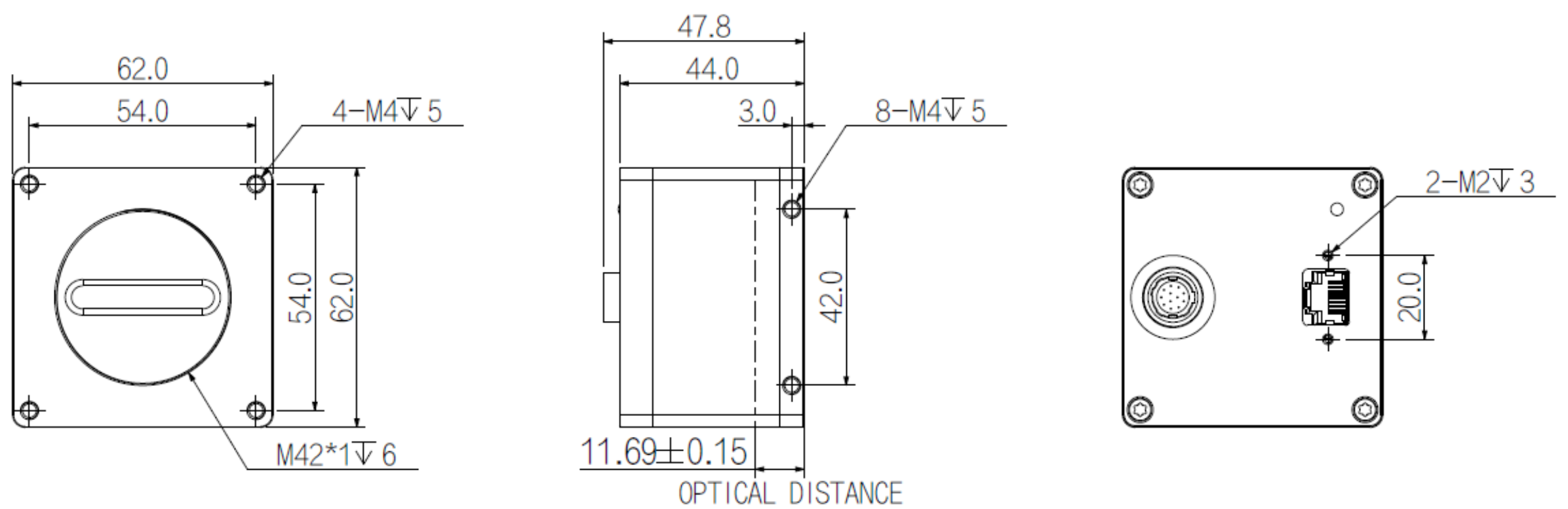
## L5027MG140E



### Features

- Support brightness enhancement, gamma correction, LUT and other ISP functions;
- Support PRNU correction in target bright field;
- Support various image formats of output data;
- Support DC12~24V wide-range power supply;
- Conform to CE, FCC, UL, RoHS certifications;

### Dimensions (mm)



## Specification

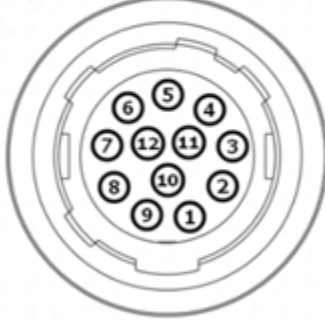
| Model       |                       | L5027MG140E                                                                                                                                                                                                                                  |
|-------------|-----------------------|----------------------------------------------------------------------------------------------------------------------------------------------------------------------------------------------------------------------------------------------|
| Basic       | Sensor                | 2K                                                                                                                                                                                                                                           |
|             | Image Sensor          | CMOS                                                                                                                                                                                                                                         |
|             | Shutter               | Global                                                                                                                                                                                                                                       |
|             | Resolution            | 2048 × 1                                                                                                                                                                                                                                     |
|             | Line Rate             | 49 kHz                                                                                                                                                                                                                                       |
|             | Bit Depth             | 12                                                                                                                                                                                                                                           |
|             | Mono/Color            | Mono                                                                                                                                                                                                                                         |
|             | Pixel Size            | 14 μm × 14 μm                                                                                                                                                                                                                                |
| Image       | S/N Ratio             | > 39dB                                                                                                                                                                                                                                       |
|             | WDR                   | 66dB                                                                                                                                                                                                                                         |
|             | Image Format          | Mono8/10/12/10Packed/12Packed                                                                                                                                                                                                                |
|             | ROI                   | Support                                                                                                                                                                                                                                      |
|             | X Flip                | Support                                                                                                                                                                                                                                      |
|             | Gain                  | 1~32                                                                                                                                                                                                                                         |
|             | Gamma                 | From 0 to 4 , support LUT                                                                                                                                                                                                                    |
|             | Exposure Time         | 8μs~100ms                                                                                                                                                                                                                                    |
|             | Trigger Mode          | Software Trigger/Hardware Trigger/Free Run Mode                                                                                                                                                                                              |
|             | FPN                   | Support                                                                                                                                                                                                                                      |
| Performance | User Setting          | Support two sets of user-defined configurations                                                                                                                                                                                              |
|             | Image Buffer          | 64MB image cache , 64MB data cache                                                                                                                                                                                                           |
| Port        | Port                  | GigE                                                                                                                                                                                                                                         |
|             | GPIO Interface        | 12-pin Hirose interface for external power supply and external triggering; 2 differential/single-ended inputs, 1 differential configurable input or output, 1 high-speed optocoupler single-ended input, 1 GPIO configurable input or output |
|             | Lens Mount            | M42 x 1                                                                                                                                                                                                                                      |
| Power       | Power Supply          | DC 12~24V power supply via 12-pin Hirose connector                                                                                                                                                                                           |
|             | Power Consumption     | ≈4.5W                                                                                                                                                                                                                                        |
| Structure   | Product Dimensions    | 62 mm × 62 mm × 44 mm (Not including rear case connector)                                                                                                                                                                                    |
|             | Net Weight            | 245 g                                                                                                                                                                                                                                        |
| Environment | Storage Temperature   | - 30°C~+80°C                                                                                                                                                                                                                                 |
|             | Operating Temperature | - 30°C~+50°C                                                                                                                                                                                                                                 |

## Connector Pin-out

Port definitions of 12-pin signals:

| Pin | Description   | Features                         |
|-----|---------------|----------------------------------|
| 1   | Power GND     | Power ground                     |
| 2   | Camera Power  | Power Supply                     |
| 3   | IN Line1+     | Input Line1+                     |
| 4   | IN Line1-     | Input Line1-                     |
| 5   | Signal GND    | Signal ground                    |
| 6   | IN Line2+     | Input Line2+                     |
| 7   | IN Line2-     | Input Line2-                     |
| 8   | IN Line4      | Bidirectional GPIO Line4         |
| 9   | IN/OUT Line3+ | Configurable input/output Line3+ |
| 10  | IN/OUT Line3- | Configurable input/output Line3- |
| 11  | OPT_IN Line5  | Opto-isolated input Line5        |
| 12  | OPT GND       | Opto-isolated ground point       |

Port definitions of 12-pin signals



## Spectrogram

