

# R3000 Series

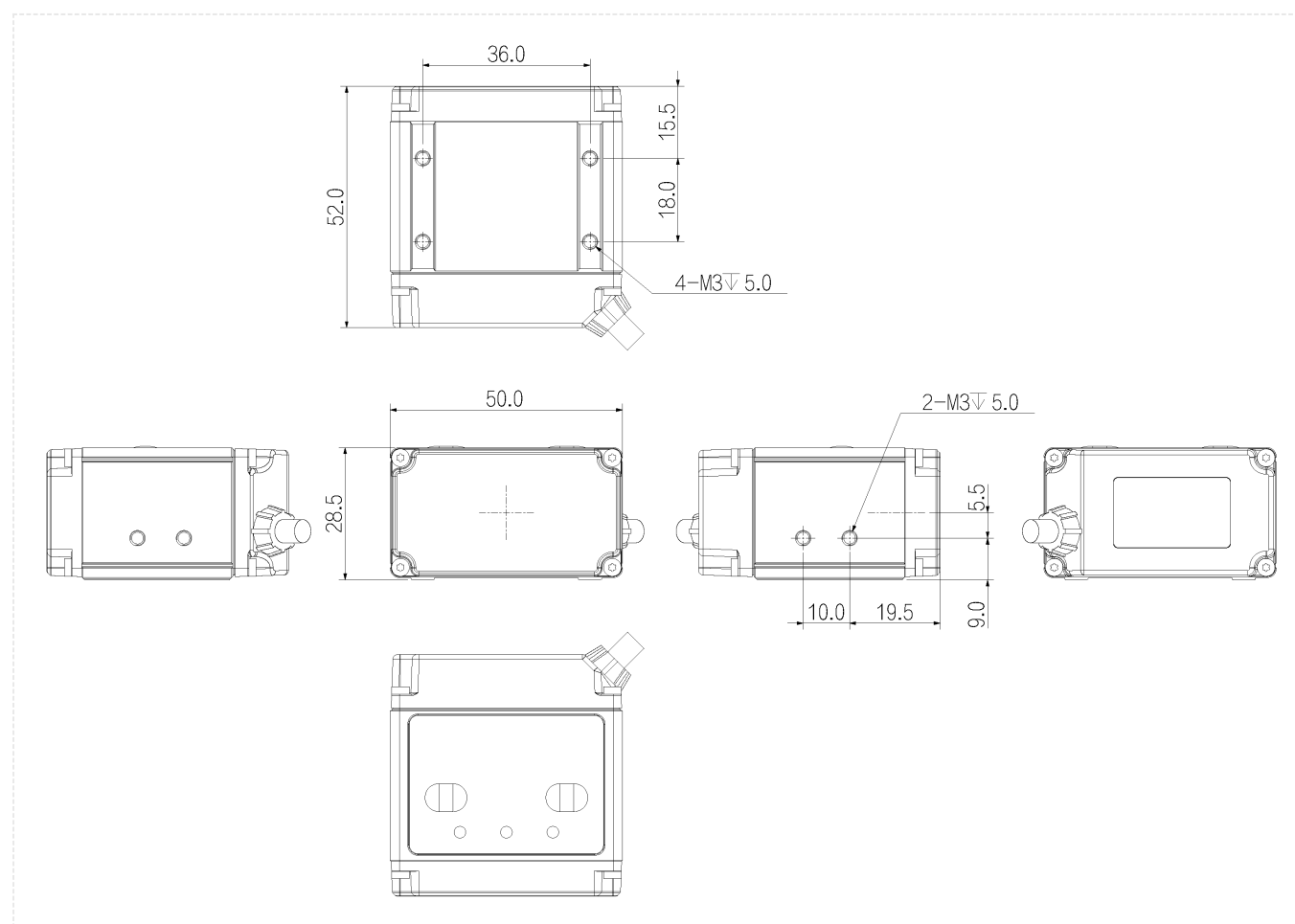
## R3004MG-07-WGG110E



### Features

- Built-in white light, integrated design;
- Support multiple trigger modes such as software trigger/external trigger/free run;
- Industrial Ethernet interface, provides 100M bandwidth;
- Rich IO interface such as Ethernet, RS232, GPIO;
- 9–26V DC power supply, consumption no more than 4.5W;
- Abundant decoding algorithms, 1D: CODE128/EAN/CODE39/CODE93/CODEBAR/ITF25 etc., 2D: DM/QR/DPM etc.

### Dimensions (mm)



## Specification

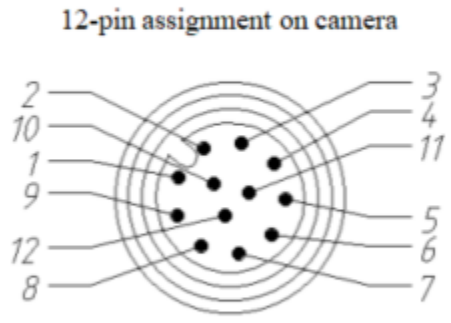
Model		R3004MG-07-WGG110E
Basic	Resolution	640 × 512
	Max. Frame rate	60 fps
	Shutter Mode	Global
	Mono/Color	Mono
	Lens Mount	M8
	Trigger Mode	Support multiple trigger modes such as software trigger/external trigger/free run;
	Software	EasyID
	Certifications	CE , KC
	Function	ID: Code 39/Code 93/Code128/CodaBar/EAN8/EAN13/UPCA/UPCE/ITF25/2of5 ( Industrial2of5 ) /standard25/GS1-128 etc. and 2D: Data Matrix/MQR/GS1 DM/GS1QR etc.; Quality Evaluation: ISO/IEC 29158(AIM-DPM), ISO/IEC 15415, ISO/IEC 15416 )
Performance	Focal Length	6.72 mm
	Working Distance	110 mm
	Field of View	86×69 mm
	Max. Read Speed	45 codes/s
	Min. Resolution	1D code 0.15 mm/ 2D code 0.34 mm
	Light Source Type	White
Port	Connector	Industrial-grade M12 connectors are Ethernet and GPIO interfaces
	Network Port	100M Ethernet
	GPIO Interface	1× RS232 interface, 1x Opto-isolated input, 1× Opto-isolated output, 1 configurable input and output
	Communication Mode	RS232, Ethernet
	Communication protocol	SDK , TCP Client , TCP Server , FTP , RS232 , Profinet、 Modbus、 EtherNet/IP、 MC(SLMP)、 FINS/UDP、 FINS/TCP
	LED Indicator	Power indicator, Network indicator, Result indicator
Power	Power Supply	9~26VDC, 0.5A input, suitable for industrial environment
	Power Consumption	<4.5 W
Structure	Product Dimensions	52 mm × 50 mm × 28 mm (Without cable)
	Net Weight	<130 g
	Protection	IP65
	Casing Material	Aluminum alloy + Front cover
Environment	Operating Temperature	-20°C ~ +50°C
	Operating Humidity	20% ~ 95%, Non condensing
	Storage Temperature	-30°C ~ +70°C



## Connector Pin-out

### 12 pin-out on camera:

Pin	Signal	Description	Cable Color
1	Power	Power	Red
2	POWER_GND	Power GND	Black
3	OPT_OUT0	Opto-isolated output	Brown
4	OPT_GND	Opto-isolated GND	Purple white
5	OPT_IN0	Opto-isolated input	Yellow
6	GPIO	Configurable IO	Blue
7	MD1_P	RJ45 port	Green
8	MD1_N	RJ45 port	Green white
9	MD0_P	RJ45 port	Orange
10	MD0_N	RJ45 port	Orange white
11	RS232_RXD	Received data	Purple
12	RS232_TXD	Transmit data	Grey



12-pin assignment on camera