

R3000 Series

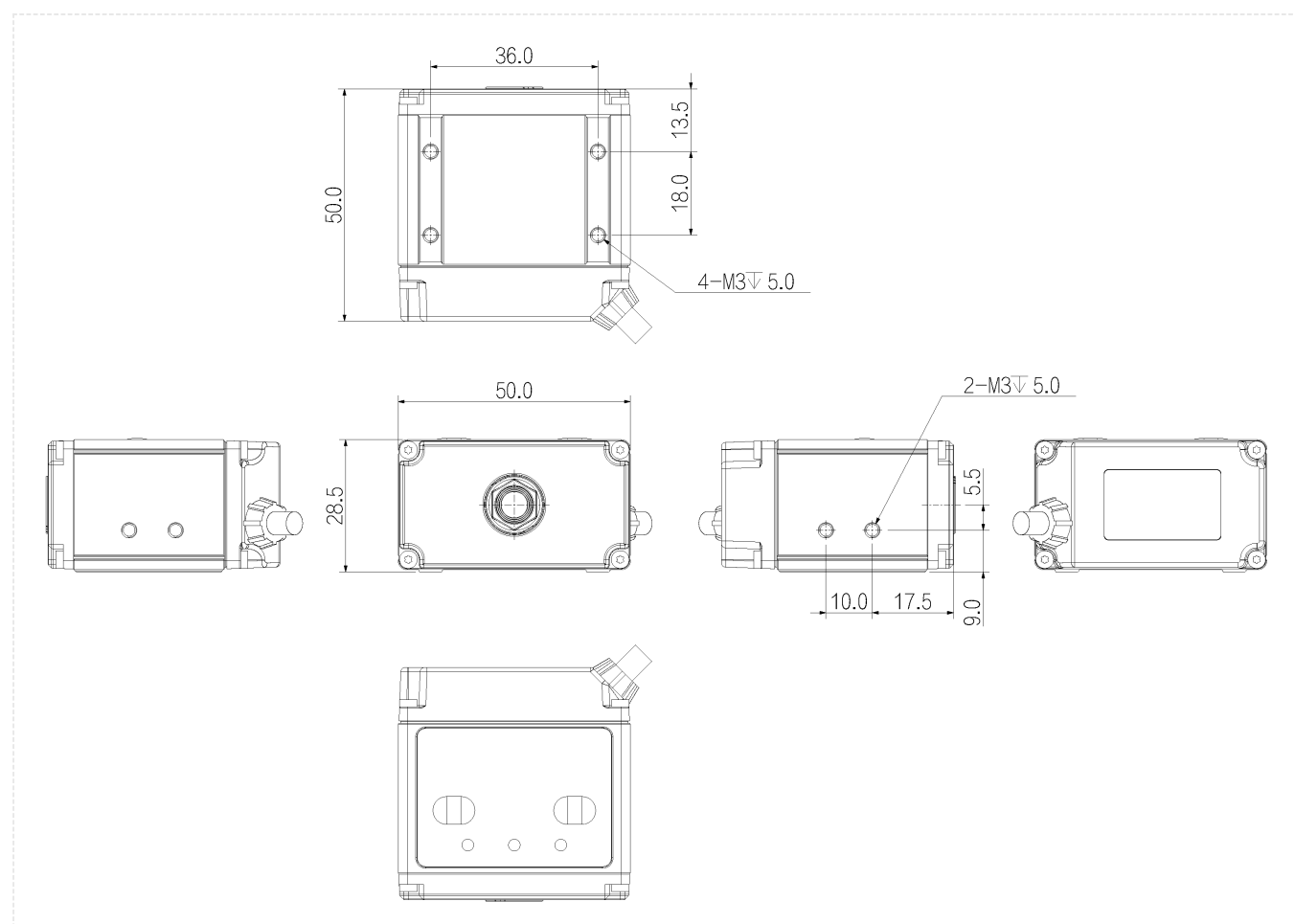
R3013MG-05H-DEE01E



Features

- Built-in Red/white dual light, integrated design;
- Support multiple trigger modes such as software trigger/external trigger/free run;
- Industrial Ethernet interface, provides 100M bandwidth;
- Rich IO interface such as Ethernet, RS232, GPIO;
- 9–26V DC power supply, consumption no more than 2.5W;
- Abundant decoding algorithms, 1D: CODE128/EAN/CODE39/CODE93/CODEBAR/ITF25 etc., 2D: DM/QR/DPM/PDF417 etc.

Dimensions (mm)



Specification

Model		R3013MG-05H-DEE01E
Basic	Resolution	1280 × 1024
	Max. Frame rate	60 fps
	Shutter Mode	Global
	Lens Mount	M8
	Trigger Mode	Support multiple trigger modes such as software trigger/external trigger/free run;
	Software	EasyID
	Certifications	CE , KC
	Function	ID: Code 39/Code 93/Code128/CodaBar/EAN8/EAN13/UPCA/UPCE/ITF25/2of5 (Industrial2of5) /standard25/GS1-128 etc. and 2D: Data Matrix/MQR/GS1 DM/GS1QR/PDF417 etc.; Quality Evaluation: ISO/IEC 29158(AIM-DPM), ISO/IEC 15415, ISO/IEC 15416)
	Focal Length	4.8 mm
	Focus Control	Manual control
	Light Source Type	Red/white dual light
Performance	Working Distance	40 - 150 mm
	Field of View	31 × 24 mm - 110 × 88 mm
	Max. Read Speed	31 codes/s
	Min. Resolution	1D code 0.05mm / 2D code 0.08mm
	Sight	Red light indication
Port	Connector	Industrial-grade M12 connectors are Ethernet and GPIO interfaces
	Network Port	100M Ethernet
	GPIO Interface	1× RS232 interface, 1× Opto-isolated input, 1× Opto-isolated output, 1 configurable input and output
	Communication Mode	RS232, Ethernet
	Communication protocol	SDK, TCP Client, FTP, TCP Server, RS232, Profinet, Modbus, EtherNet/IP, MCUdp, MCTcp, FinsUDP, FinsTCP, MELSEC
	LED Indicator	Power indicator, Network indicator, Result indicator
Power	Power Supply	Support DC 9V ~ 26V wide range voltage input
	Power Consumption	<2.5W
Structure	Product Dimensions	50mm × 50mm × 28.5mm (Without cable)
	Net Weight	< 130 g
	Protection	IP65
	Casing Material	Aluminum alloy + Front cover
Environment	Operating Temperature	-20°C ~ +50°C
	Operating Humidity	20% ~ 95%, Non-condensing
	Storage Temperature	-30°C ~ +70°C

Connector Pin-out

12 pin-out on camera:

Pin	Signal	Description	Cable Color
1	Power	Power	Red
2	POWER_GND	Power GND	Black
3	OPT_OUT0	Opto-isolated output	Brown
4	OPT_GND	Opto-isolated GND	Purple white
5	OPT_IN0	Opto-isolated input	Yellow
6	GPIO	Configurable IO	Blue
7	MD1_P	RJ45 port	Green
8	MD1_N	RJ45 port	Green white
9	MD0_P	RJ45 port	Orange
10	MD0_N	RJ45 port	Orange white
11	RS232_RXD	Received data	Purple
12	RS232_TXD	Transmit data	Grey

